

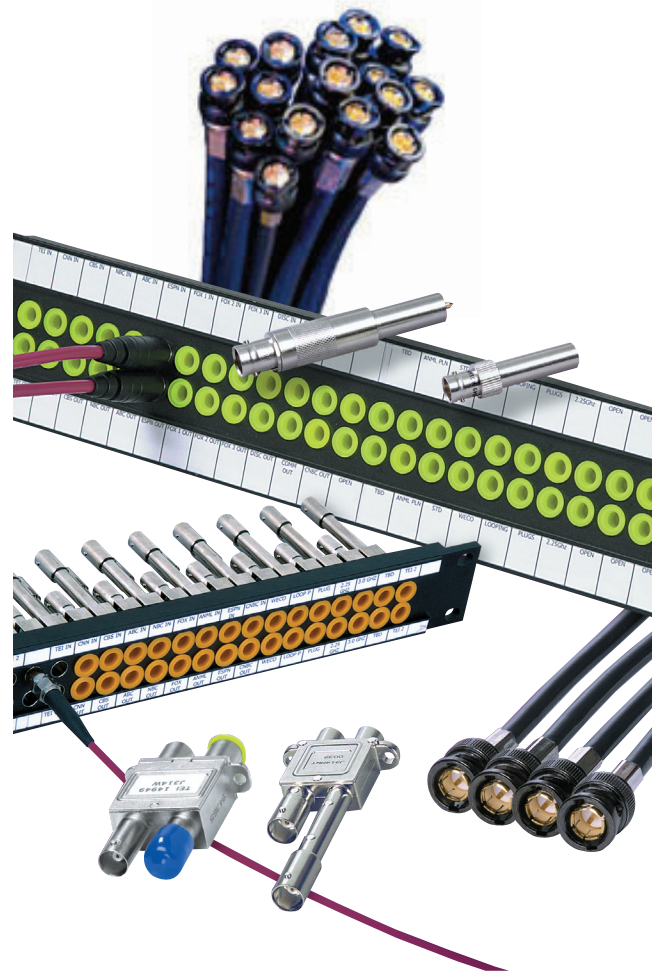
Video Broadcasting

Broadcasters need more performance from the products they select and a higher standard of expertise from suppliers they partner with. At Cinch Connectivity Solutions, we are dedicated to meeting that challenge. We have focused our expertise of high frequency connections in the telecom, military communications, and aerospace industries to provide a line of superior interconnects for HDTV applications.

The digital interconnect solutions were designed to be easy to understand, easy to buy, and configured for success. Each product element is configured with flexibility to accommodate the unique requirements of your station, and each component meets or exceeds the SMPTE 424M specification for full bandwidth.

For a full listing of all video broadcast products that Cinch Connectivity Solutions has to offer, download our Video Broadcast product catalog from cinchconnectivity.com

Please contact us directly if you have special needs or questions. An applications engineer will be happy to work with you to explain our products or create a special solution for your station conversion. Our goal is to deliver the best available product solutions and the highest level of service to make your move to digital successful.



Cinch Connectivity Solutions US Headquarters

299 Johnson Drive SW
Suite 100
Waseca, MN 56093 USA
+1 507.833.8822
ccsorders@us.cinch.com

Cinch Connectivity Solutions Asia Pacific Headquarters

Building 1, No. 800 ShenFu Road
XinZhuang Industry Park
Shanghai, China 201108
+86 21 5442 7668
ccs.asia.sales@as.cinch.com

Cinch Connectivity Solutions Ltd European Headquarters

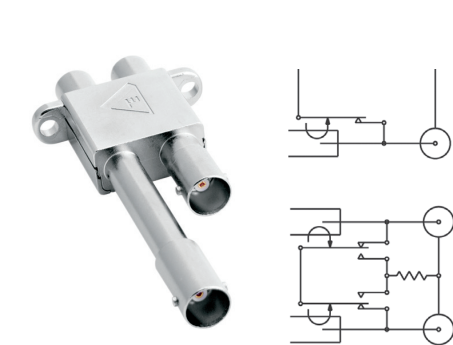
11 Bilton Road
Chelmsford, Essex CM1 2UP UK
+44 124.535.9515
mailbox.ccsuk@eu.cinch.com



Video Broadcasting

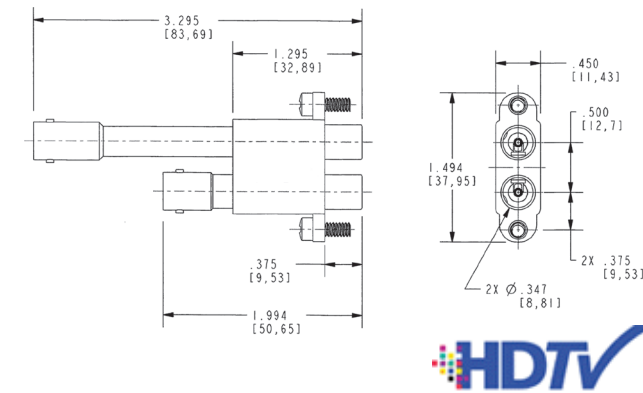
HDTV High Frequency Mini-WECo Video Patching SMPTE 292M/424M

75 Ohm High Frequency Dual Coaxial Normal-Thru Mini-WECo Patch Jack

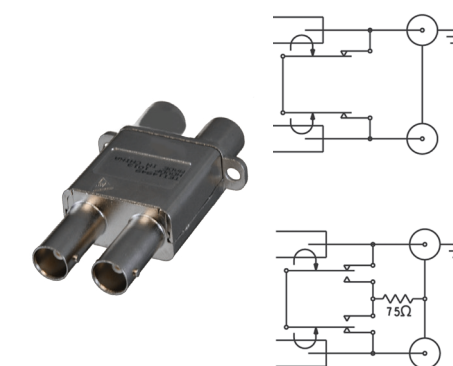


HDVDPM (Non-Terminating)
Inserting a plug into either side breaks the normal-thru. Normal-thru is BNC to BNC.

HDVDPMT (Self-Terminating)
Inserting a plug into the source side automatically terminates the load side. Insertion into the load side automatically terminates the source side. Either provides a resistive load to the unused side.

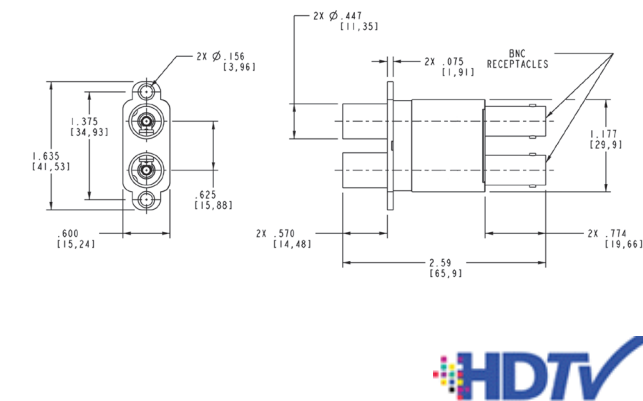


HDTV-Ready High Frequency 75 Ohm WECo Patch Jack, Normal-Thru, Dual Coaxial



HDVDP (Non-Terminating)
Inserting a plug into either side breaks the normal-thru. Normal-thru is BNC to BNC.

HDVDPT (Self-Terminating)
Inserting a plug into the source side automatically terminates the load side. Insertion into the load side automatically terminates the source side. Either provides a resistive load to the unused side.

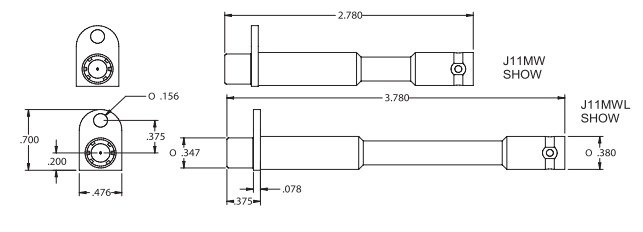


Single Mini WECo Patch Jacks



These single Mini WECo patch jacks have excellent return loss at 3 GHz. Unlike normal through jacks, these do not share a common ground between the input and output ports, which is a preference in some patching scenarios.

The self-terminating versions eliminate unwanted "stubs" with a 75 Ohm resistance if the jack is not patched. All require Mini WECo patch cords or patch plugs to reroute signals.



Part Number	Description
J11MW	Mini WECo Short Patch Jack
J11MWL	Mini WECo Long Patch Jack
J11MWT	Mini WECo Short Patch Jack, Self-Terminating
J11MWLT	Mini WECo Long Patch Jack, Self-Terminating

HDTV Video Panels

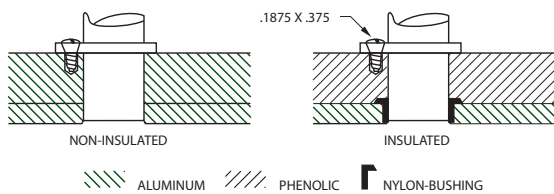
HDTV Transmission Line Network Product Solutions – All True 75 Ohm

Standard 19" Panels in Popular Sizes and Configurations

Available in insulated black phenolic, and insulated or non-insulated aluminum. Aluminum panels are painted standard gray and come with either a phenolic black back (insulated type), and an aluminum back bar (non-insulated type).

Custom Panels and Marking

Custom panels can be configured to meet your specifications. Including special wiring, colors, engraving, or silk-screening (custom marking). Patch jack locations can also be marked on the rear of the panel for easy location of jacks. Please contact your local sales representative, or e-mail us your requirements to ccsorders@us.cinch.com.



Panels available in heights of 1.75 inches (1RU) or 3.50 inches (2RU).

Hole Plugs

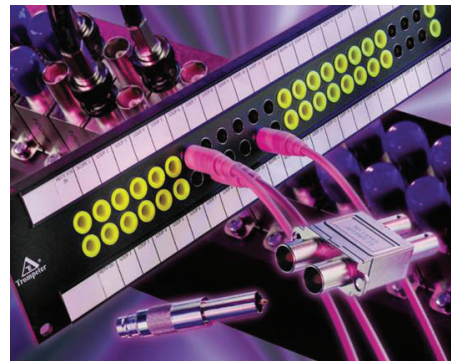
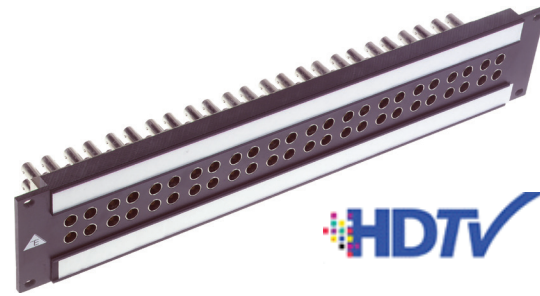
Hole Plugs for	Hole Diameter (inches)	Part No.
J8 – Miniature Patch Panel	.250"	HP250
HDVDPM / J11 – Miniature Patch Jack	.304"	HP304
HDVDP – Standard Patch Jack	.375"	HP375
JS-JSI – Standard Patch Panel	.437"	HP437
Miscellaneous	.500"	HP500

WECo – Fully loaded with HDVDP or HDVDPT Jacks, 19" Black Phenolic Insulated Panels

# of Holes	Panel Height (in)	Non-Terminated	Terminated
48	3.5	JSIB-48A/HDVDP	JSIB-48A/HDVDPT
48	3.5	JSIB-48/HDVDP	JSIB-48/HDVDPT
48	1.75	JSIB-48S/HDVDP	JSIB-48S/HDVDPT
52	3.5	JSIB-52/HDVDP	JSIB-52/HDVDPT
52	1.75	JSIB-52S/HDVDP	JSIB-52S/HDVDPT
144	7	JSIB-144/HDVDP	JSIB-144/HDVDPT

Mini-WECo – Fully loaded with HDVDPM or HDVDPMT Jacks, 19" Black Phenolic Insulated Panels

# of Holes	Panel Height (in)	Non-Terminated	Terminated
64	1.75	JSMW64S/HDVDPM	JSMW64S/HDVDPMT
64	3.5	JSMW64D/HDVDPM	JSMW64D/HDVDPMT
128	3.5	JSMW128/HDVDPM	JSMW128/HDVDPMT



Polyethylene Patch Jack Mini-WECo Covers (Black)
Part Number: HP-304

Vinyl BNC Jack Covers (Blue)
Part Number: 700-0055

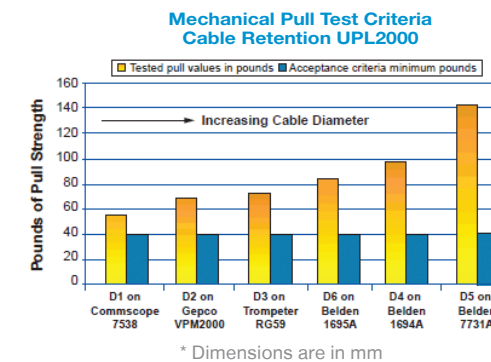
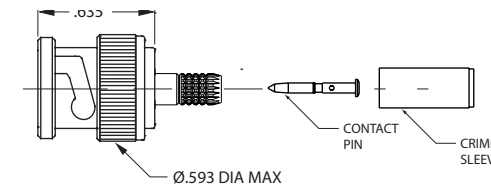
Polyethylene Patch Jack WECo Covers (Yellow)
Part Number: 700-0955



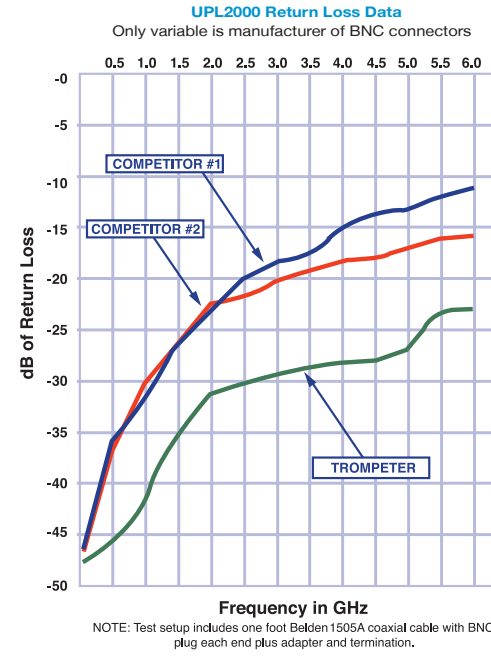
75 Ohm UPL2000 Digital Video BNC

HDTV BNC

UPL2000* – (Cable Group)
Can only be ordered in bulk packs of 50. Also available with color coded polymer BNC coupling sleeves.



UPL2000 is a classically robust, high frequency, true 75 Ohm BNC connector that is designed to handle high bit-rate digital video signal transmissions in conjunction with the low loss coaxial cables used in broadcast applications.

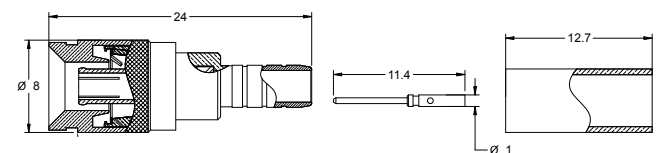


1.0/2.3 DIN Connectors – 75 Ohm

The Trompeter line of DIN connectors, is manufactured to the DIN 47297 (75Ω) interface specification. The DIN 1.0/2.3 connectors are 45% smaller than the DIN 1.6/5.6 and is ideal for higher density patching requirements. With this space savings, more ports can be placed in the same 1RU panels. The 1.0/2.3 series includes cable plugs, cable jack and Type N to DIN adapters and works with all of the most popular cables used in the video distribution and telecom central office environments. Also adaptable to suit any coaxial cable developments.

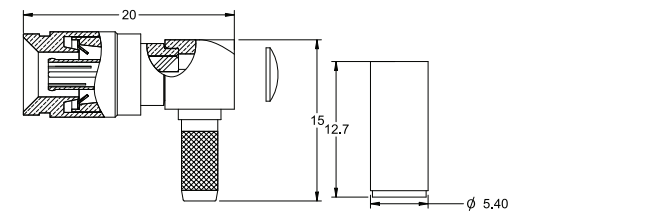
Straight Crimp Plug

UPL1023* – (Cable Group)



Right Angle Crimp Plug

UPLR1023* – (Cable Group)



Dash No.	Cable Name	Cable Outside Diameter	Cutter Head 3-Blade Cut
D1	CommScope 7538	0.163	C26T31
D2	Belden 1505A	0.235	C26T3D
	Gepco VPM2000	0.242	C26T3D
D3	RG-59/U	0.242	C26T3D
	Belden 1694A/8241	0.275	C26T3U
D4	Gepco VSD2001	0.273	C26T3U
	Belden 7731A	0.405	C26T3E
D5	CommScope 5906	0.405	C26T3E
	Belden 1695A	0.235	C26T3D
D6	Belden 9221	0.102	C26T3A
	RG179	0.105	C26T3A
D8	Belden 1506A	0.201	C26T3C
	Gepco VPM2000TK	0.200	C26T3C
D9	Belden 9209	0.200	C26T3C
D10	Belden 8281	0.307	C26T3E
D11	Westpenn 25815	0.214	C26T3C
D12	Nokia 0.6/2.8	0.213	C26T3B
D13	CommScope 7530	0.318	C26T3E
D14	Belden 8279	0.220	C26T3C
D15	CommScope F55HEC	0.269	C26T3D
	Belden 7732A	0.356	C26T3E
D16	CommScope 2285	0.359	C26T3E
	NK Networks 0.6/3.7	0.250	C26T3D
D18	CommScope S59HEC	0.269	C26T3D
D19	Belden 1855A	0.159	C26T31
D20	Belden 1505F	0.242	C26T3D
D21	VDM 230	0.171	C26T3B